

DX
13, 22, 26
kW

POWERPROTECT
Standby Generators


BRIGGS & STRATTON
ENERGY SOLUTIONS



10
YEAR
WARRANTY
PARTS - LABOR - TRAVEL

DX

Crafted with innovation and engineered to tackle any challenge, the Briggs & Stratton® PowerProtect DX Generator series offers the ultimate solution for a home's power demands. From the compact 13kW¹ model to the industry's most powerful air-cooled generator at 26kW¹, our line is backed by the most comprehensive warranty² and service network in the industry.

FEATURES



Highest Rated Power Output on Natural Gas³

Engineered with NGMax for superior power and performance with convenient hookups for both liquid propane and natural gas.



13kW Compact Size

The smallest generator footprint in its class⁵. Upright design provides the smallest footprint possible so it's easier to install in tight areas. The front exhaust design allows for ultimate installation versatility.



Industry's Most Powerful

Worry-free backup power with the industry's most powerful air-cooled generator.



Assembled and Engineered in USA

Briggs & Stratton generators are designed and assembled in the USA.³



Superior Motor Starting

Best motor starting in the industry³ to ensure smooth operation of your large appliances during startup. Up to 68% more power³ than the competition.



Quiet Weekly Test Mode

70% quieter during weekly test mode.⁴



Power Management System (optional)

Customizable to your home's power needs, the Symphony® Choice Power Management system offers prioritized whole house power with a more affordable standby generator.



Corrosion Protection

Reinforced, corrosion-resistant aluminum enclosures and bases with Dura-Zen™ coating for a long-lasting attractive appearance.

POWERPROTECT

Standby Generators



BRIGGS & STRATTON
ENERGY SOLUTIONS



Eco-Cise™ Weekly Test Mode

Our short 16-second weekly test mode ensures your generator is in top operating condition while reducing noise and fuel consumption.



Flexible Installation & Maintenance

Approved for installation as close as 18" to a building⁵ with easy toolless panel removal for serviceability and maintenance.



Vanguard® Commercial-Grade Engine

Powerful engine built in the USA for commercial applications providing power for electronics.



Suitable for Off-Grid use or Demand Response Programs

Certified for non-emergency use, partner with your utility company's demand response program to receive incentives for helping reduce the overall load on the power grid.



In-House Call Support

Enjoy direct access to our US-based Briggs & Stratton energy experts whenever you need them aluminum enclosure to resist rust, and powder-coated paint for years of protection against chips and abrasions.



Engineered with **NGMax™**

for superior power and performance



Learn More

energy.briggsandstratton.com/powerprotect

When choosing a standby generator, check the specifications closely. **Only Briggs & Stratton PowerProtect generators feature NGMax™ technology, delivering up to 12% more power on natural gas than the competition.** For homes with natural gas, Briggs & Stratton is the ideal choice.



13kW

22kW

26kW



Most comprehensive warranty in the industry over time.²

Coverage for 10 years on parts, labor, and travel through the entire warranty period.

This extended warranty is offered to every model in the PowerProtect DX lineup - a value up to \$1,225.



Air-Cooled DX Warranty Comparison	Mileage	Labor	Parts	Major Components
Briggs & Stratton - 10 years	10 years	10 years	10 years	10 years
Generac - 5 years	2 years	2 years	3 years	5 years
Kohler - 5 years	5 years	5 years	5 years	5 years

Generator Set Rating			
Model Name	PPDX13	PPDX22	PPDX26
Model Number	040740	040780	040800
Running Power (Liquid Propane/Natural Gas) kW¹	13 / 11.5	22 / 22	26 / 24
Running Amperage (Liquid Propane/Natural Gas) Amps	54.2 / 47.9	91.7 / 91.7	108.3 / 100
Voltage	120 / 240	120 / 240	120 / 240
Circuit Breaker Amps	70	100	125
Motor Start Capability (kVA)	37	45	65.5

Engine	
Manufacturer	Vanguard®
Frequency Regulation Steady State	+/-1.0%

Sound Rating ⁷	PPDX13	PPDX22	PPDX26
Low Idle Mode Sound	65 dBA	64 dBA	63 dBA
Normal Operating Sound⁷	69 dBA	68 dBA	65 dBA

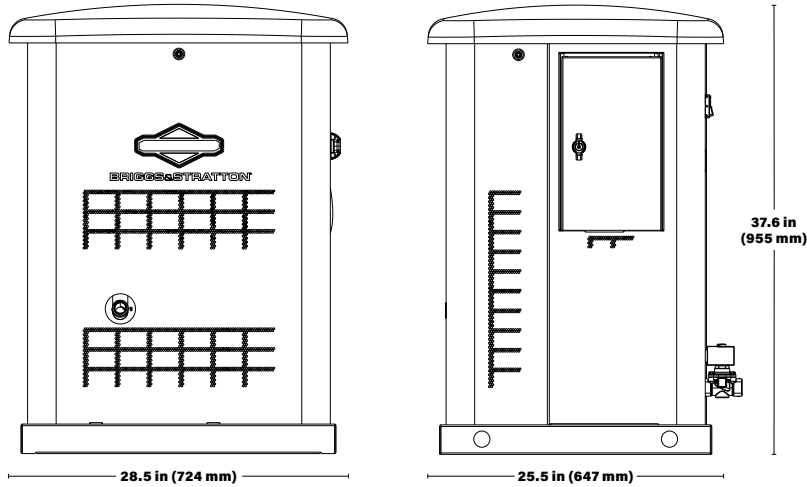
Fuel Consumption ⁸	PPDX13	PPDX22	PPDX26
No Load (BTU/hr)	NG - 65,000 / LP - 70,000	NG - 108,000 / LP - 107,000	NG - 122,000 / LP - 123,000
Half Load (BTU/hr)	NG - 119,000 / LP - 154,000	NG - 194,000 / LP - 217,000	NG - 206,000 / LP - 235,000
Full Load (BTU/hr)	NG - 212,000 / LP - 258,000	NG - 281,000 / LP - 368,000	NG - 323,000 / LP - 427,000

Available Accessories	PPDX13	PPDX22	PPDX26
Oil Warmer	6922		6840
Battery Warmer	6921		6869
Maintenance Kit	6873		6872
Fuel Regulator Warmer		6845	
Surge Protector		6631	
InfoHub™ Universal - Cellular		6574	

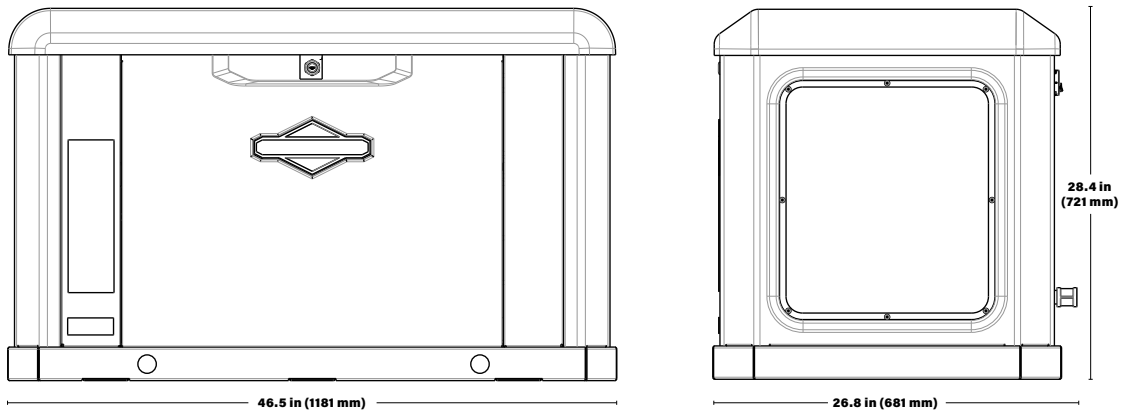
Product Dimensions	PPDX13	PPDX22	PPDX26
Overall Dimensions (in / mm)	28.5 x 25.5 x 37.6 / 724 x 647 x 955	46.5 x 26.8 x 28.4 / 1181 x 681 x 721	46.5 x 26.8 x 28.4 / 1181 x 681 x 721
Packaged Dimensions (in / mm)	39.0 x 33.5 x 45.0 / 991 x 851 x 1143	48.8 x 30.5 x 50.5 / 1240 x 775 x 1283	48.8 x 30.5 x 50.5 / 1240 x 775 x 1283
Assembled Weight (lbs / kg)	315 / 143	465 / 210	540 / 245
Packaged Weight (lbs / kg)	370 / 168	540 / 245	625 / 285



13kW (PPDX13)



22kW & 26kW (PPDX22, PPDX26)



¹ This generator is rated in accordance with UL (Underwriters Laboratories) 2200 (stationary engine generator assemblies) and CSA (Canadian Standards Association) standard C22.2 No. 100-14 (motor and generators).

² See operator's manual or energy.briggsandstratton.com for complete warranty details.

³ 39% smaller footprint than competitors

⁴ Of global and U.S. parts

⁵ The installation manual contains specific instructions related to generator placement in addition to NFPA 37, including the requirement that carbon monoxide detectors be installed and maintained in your home or business.

⁶ Fuel consumption rates are estimated based on normal operating conditions. Generator operation may be greatly affected by elevation and the cycling operation of multiple electrical appliances – fuel flow rates may vary depending on these factors.

⁷ Per ISO 3744. Sound level measurement at other locations around generator may differ depending on installation, based on lowest microphone at 7m. Normal operation based on average household usage.

Briggs & Stratton has a policy of continuous product improvement and reserves the right to modify its specifications at any time and without prior notice.

This standby generator is not for Prime Power applications.

Please visit energy.briggsandstratton.com for the latest information.